

Logic Code Combi

26 33 38

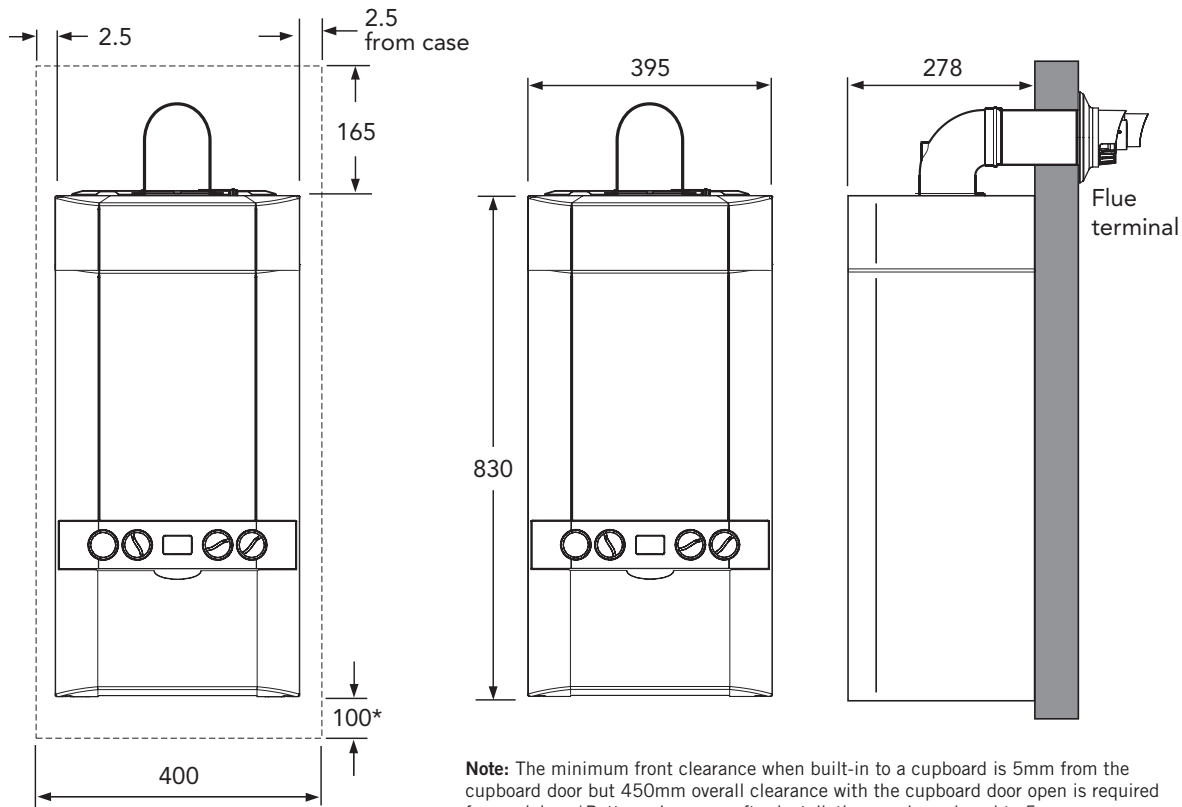
Features and Benefits



- Three models available 26, 33 & 38 kW
- One single appliance to install – quick and easy
- Built in pipework; no extra space at the side of the product needed
- Minimum overall height increase gives easier site installation
- Neat and tidy appearance
- Compact and light solution for new build or retrofit installations
- High DHW efficiency- reduced running costs
- Higher DHW flow rates than standard boiler – approximately 10% increase
- Less waste DHW water as DHW inlet is preheated
- Reduced plumbing on DHW
- 2 year parts and labour warranty



Boiler Clearances and Dimensions



Note: The minimum front clearance when built-in to a cupboard is 5mm from the cupboard door but 450mm overall clearance with the cupboard door open is required for servicing. *Bottom clearance after installation can be reduced to 5mm. However, 100mm is required for servicing.

Flue Lengths

Boiler Model		Logic Code Combi		
		26	33	38
Flues	Max horizontal *	9	8	6
	Max vertical *	7.5		
	Powered Vertical †	22		
	High Level Flue Outlet Kit	Yes		
	Direct Rear Flue Kit (55/80)	No		

* Each 90° elbow used is at the expense of 1000mm of straight flue run, and each 45° elbow is used at the expense of 600mm of straight flue length.

† Typical combined primary and secondary length. See installation instructions for more details.

Note: The Flue Deflector Kit is used at the expense of 1000mm of straight flue length.

Technical Specification

Boiler Model		Logic Code Combi		
		26	33	38
Size	Height	830		
	Width	395		
	Depth	278		
	Weight (packed) kg	41.3	41.4	41.6
	Maximum Installation Weight kg	35.9	36.0	36.2
Performance	CH output (kW) Min/Max @ 70°C	4.8 - 24.2		
	CH output (kW) Min/Max @ 40°C	5.1 - 25.6		
	DHW output (kW) Max	26.1	32.7	38.2
	DHW flow rate l/min. 35°C rise	10.7	13.4	15.7
	SEDBUK (2005) %	91.0	91.1	91.0
	NOx Classification	5		
	Adjustable to LPG	No		